

# LITTLE – BLASTER™

Distributed By:



2717 Tobey • Indianapolis, IN 46219  
(317) 545-0665 • FAX (317) 545-0670 • (800) 800-0665  
www.idsblast.com

MM348

## PRESSURE BLAST OPERATION – LITTLE BLASTER SHOT PEENER

### OPERATION & PARTS MANUAL

# WARNING

**DO NOT USE SAND. SAND WILL CAUSE SILICA DUST, WHICH IS THE CAUSE OF SILICOSIS DISEASE, A CONDITION OF MASSIVE FIBROSIS OF THE LUNGS. THIS STATEMENT INDICATES POTENTIAL PERSONNEL HAZARD. FAILURE TO COMPLY WITH THESE INSTRUCTIONS MAY RESULT IN PERSONAL INJURY. WEBSITE FOR SILICOSIS: [http://osha-slc.gov/SLTC/silica\\_advisor/mainpage.html](http://osha-slc.gov/SLTC/silica_advisor/mainpage.html)**

**THIS MACHINE IS DESIGNED FOR THE USE OF STEEL SHOT OR STEEL GRIT.**

## TABLE OF CONTENTS

SET-UP INSTRUCTIONS	PAGE
Machine with cartridge type Dust Collector.....	1
OPERATING INSTRUCTIONS.....	2
MAINTENANCE INSTRUCTIONS	
Machine with cartridge Dust Collector.....	3
ILLUSTRATIONS	
WARRANTY	

## LITTLE – BLASTER™

### SET-UP INSTRUCTIONS

## FOR SHOT PEEN MACHINES WITH CARTRIDGE TYPE DUST COLLECTORS

\*\*\* READ BEFORE OPERATING EQUIPMENT\*\*\*

1. Inspect for damage.
2. Remove all shipping protection: plastic wrapping, shipping pallet, boxes inside of machine, etc.. Check for any concealed shipping damage; if any damage, report to your freight carrier within 24 hours.
3. Blast cabinet should be placed in a desired location, away from any water or liquid environment such as cleaning vats, etc., where the air supply is not restricted and dry. If moist compressed air is present at this location, install a good moisture separator. This will assure that the air is not contaminated with moisture.
4. Installing Cartridge Dust Collector: Packed inside cabinet is 4 bolts, washers, nuts, and a roll of putty tape. Apply putty tape to back of cabinet around the large hole, press to make a firm bond to cabinet and squeezing together at seam. Remove paper from putty tape. Align the 4 hole bolt pattern and install bolts, washers, and nuts. Tighten bolts and nuts securely to square or flatten putty tape. Plug electrical cord from side of dust collector into cord plug from light box.
5. Connect your air supply line to machine air inlet on left rear leg, Item #4, we recommend using 3/4" minimum supply line. (Again, make sure you air supply line is free from oil and moisture.
6. Connect electrical cord from light box to grounded electrical source, 110 volt/ 60 cycle, single phase.
7. Charge blast machine with (1) 50 lb bag of abrasive. Pour media into cabinet through one of the doors.

**WARNING**

**DO NOT USE SAND. SAND WILL CAUSE SILICA DUST, WHICH IS THE CAUSE OF SILICOSIS DISEASE, A CONDITION OF MASSIVE FIBROSIS OF THE LUNGS. THIS STATEMENT INDICATES POTENTIAL PERSONNEL HAZARD. FAILURE TO COMPLY WITH THESE INSTRUCTIONS MAY RESULT IN PERSONAL INJURY. WEBSITE FOR SILICOSIS: [http://osha-slc.gov/SLTC/silica\\_advisor/mainpage.html](http://osha-slc.gov/SLTC/silica_advisor/mainpage.html)**

## LITTLE – BLASTER™

### OPERATING INSTRUCTIONS

\*\*\*READ BEFORE OPERATING EQUIPMENT\*\*\*

#### 1. Preparing parts for blasting:

All parts to be processed must be free of oil, grease and moisture. Make sure parts are dry before putting into cabinet for cleaning.

#### 2. Air Pressure:

Operating Pressure: 20 PSI to 80 PSI.

Set air pressure to desired pressure. Most parts for blast cleaning start at 60 PSI. Designate parts to be processed, start at lower pressures and work up the PSI scale to obtain desired finish.

#### **WARNING**

**\*\*DO NOT CONNECT TO HIGH PRESSURE BOTTLE GAS, RUPTURE AND EXPLOSION CAN OCCUR.\*\***

#### 3. Nozzle Angle and Distance:

Direct nozzle at part approximately 45 – 60 degree angle with ricochet toward the back side of cabinet. Do not hold nozzle at 90 degree to part being processed. This will cause the media blast to bounce back into the blast stream and slow blasting action. Also 90 degree angle will cause excessive wear on nozzle and viewing window. Hold nozzle approximately 6 inches from part to be cleaned.

#### **WARNING**

**NOZZLE MUST ALWAYS BE POINTED AWAY FROM THE OPERATOR AND TOWARD ITEM BEING PROCESSED. NEVER BLAST WITH ANY OF THE CABINET DOORS OPEN. WHILE LOADING AND UNLOADING, NO ONE SHOULD BE AT THE OPERATOR STATION AT FRONT OF THE CABINET.**

#### 4. Media:

Media should be of good quality and dry. Damp media will cause the media not to flow and will clog abrasive flow. NEVER USE SAND. See “WARNING”, page 1. If you are having a problem selecting a media for a specified job, contact your selling distributors for their recommendations.

## LITTLE – BLASTER™

### PRESSURE BLAST OPERATION – LITTLE BLASTER SHOT PEENER

\*\*\*READ BEFORE OPERATING EQUIPMENT\*\*\*

1. Obtain the desired media for your operation. Open the cabinet door and pour 50 lbs. of media into the pressure tank.

**\*\* DO NOT FILL ABOVE THE POP-UP PLUNGER \*\***

2. Turn the MEDIA VALVE knob full clockwise. This is the closed position. Turn the knob counter-clockwise (3) full turns to begin blasting. Small adjustments may be necessary to obtain the proper air media mix.
3. Set the CHOKE VALVE to full open. (Handle parallel to the valve body). Small adjustments may be necessary to obtain the proper air media mix.
4. TO BLAST

Close the BLOW-DOWN VALVE (Ball valve on the cabinet front sump). Reach hands through the glove ports and grasp the blast nozzle. Depress the foot control.

5. TO STOP BLASTING

Remove your foot from the foot control. While holding the nozzle with one hand, OPEN THE BLOW-DOWN VALVE with your other hand. This will purge the tank for refilling.

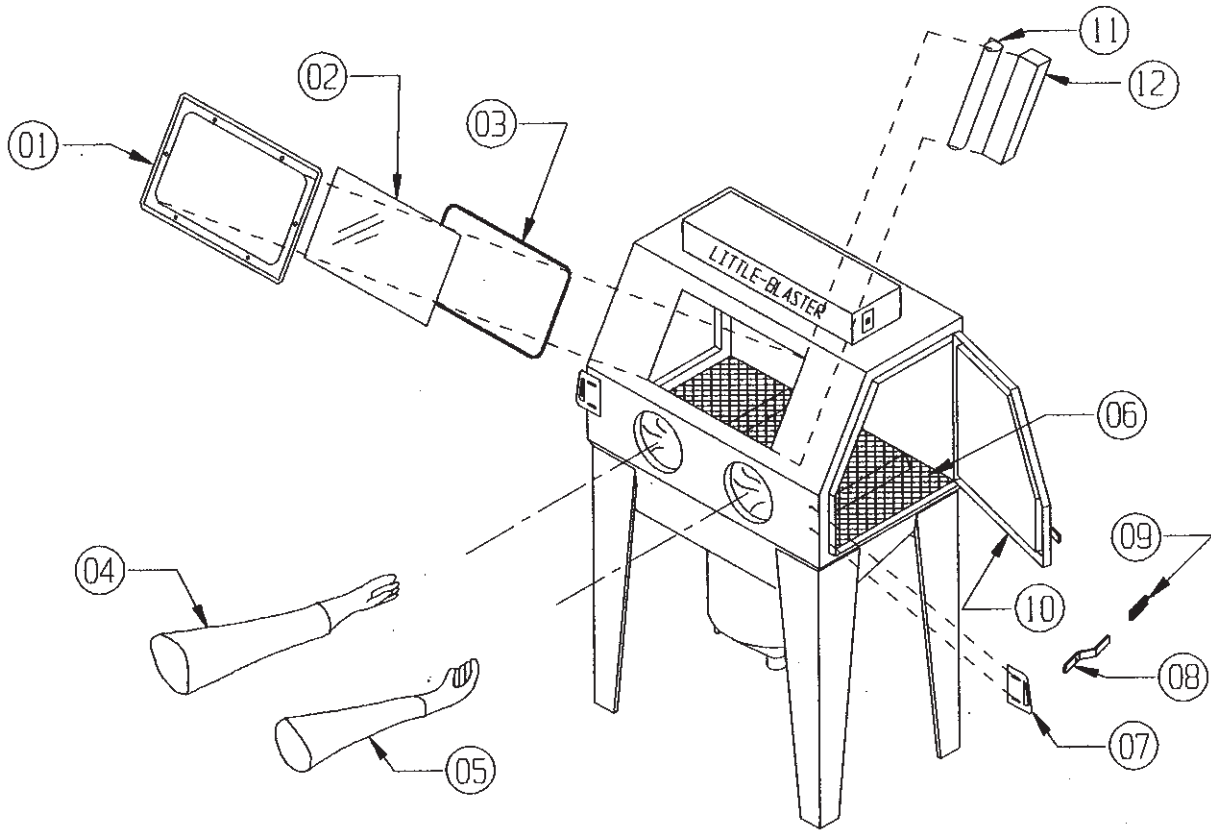
**\*\* CAUTION: NEVER OPEN DOOR WHILE TANK IS PRESSURIZED \*\***

6. Re-adjusting the media/air flow.

A proper media/air ratio must be obtained for efficient blasting. This is accomplished by adjusting the media valve and choke valve. Adjustments should be made in small increments until the proper balance can be obtained. If the media flow is too rich this will cause pulsating. The media valve and choke valve should be operated as open as possible to produce the best blast results.

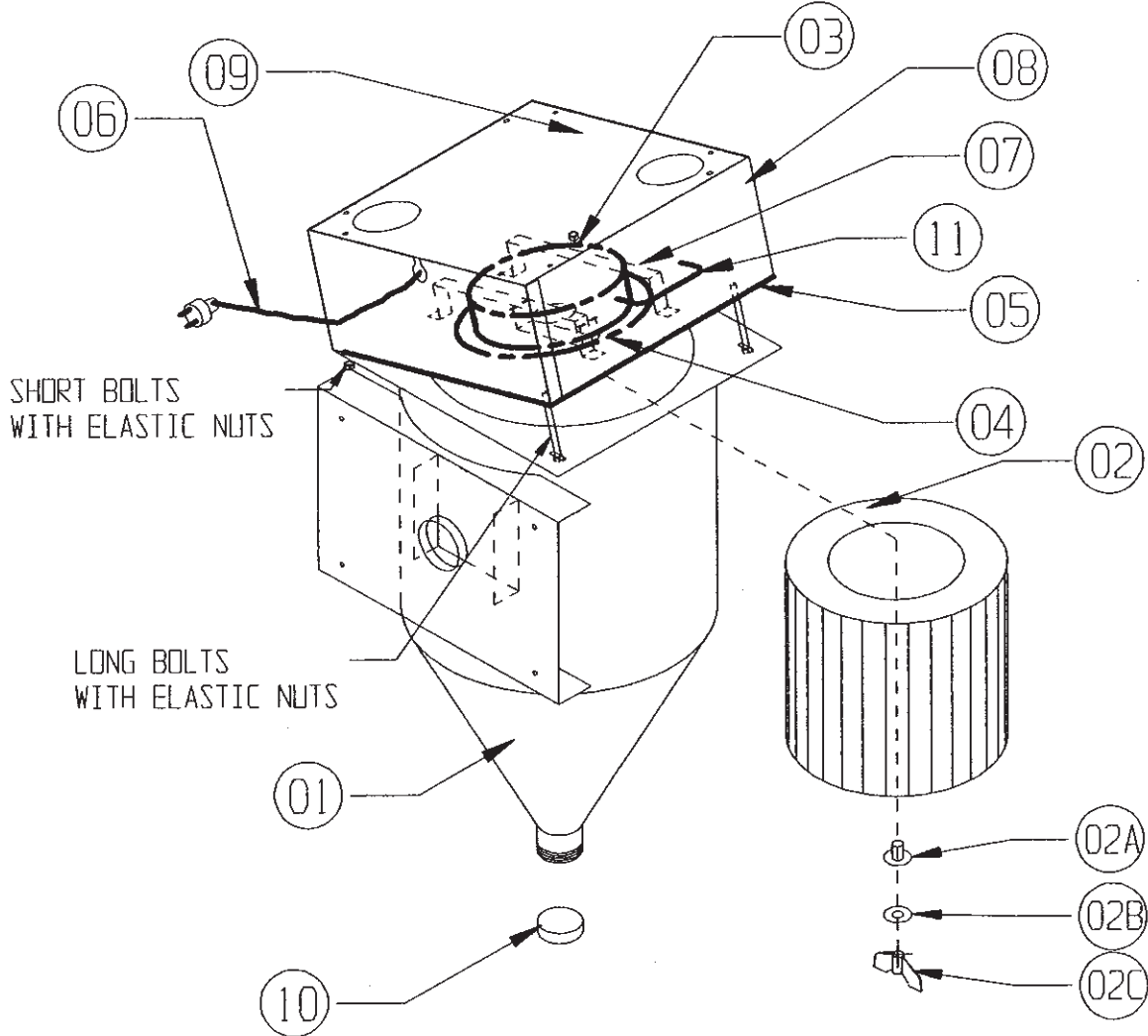
# LITTLE-BLASTER™

## SHOT PEENER CABINET PARTS



ITEM NO.	PART NO.	DESCRIPTION
1	23-053	WINDOW FRAME
2	23-050	WINDOW, VIEWING
3	24-054-56"	WINDOW GASKET
4	22-111	GLOVE, SNAP-IN (LEFT ONLY)
5	22-112	GLOVE, SNAP-IN (RIGHT ONLY)
6	10-152-40	GRATE
7	15-718	DOOR STRIKER (EITHER SIDE)
8	15-719	DOOR CAM (EITHER SIDE)
9	15-720	DOOR CAM RUBBER GRIP
10	24-054-8'	DOOR GASKET, PER DOOR
11	011191	MYLAR GLASS PROTECTOR
12	011190	MYLAR HOLDER

CARTRIDGE DUST COLLECTOR



SHORT BOLTS WITH ELASTIC NUTS

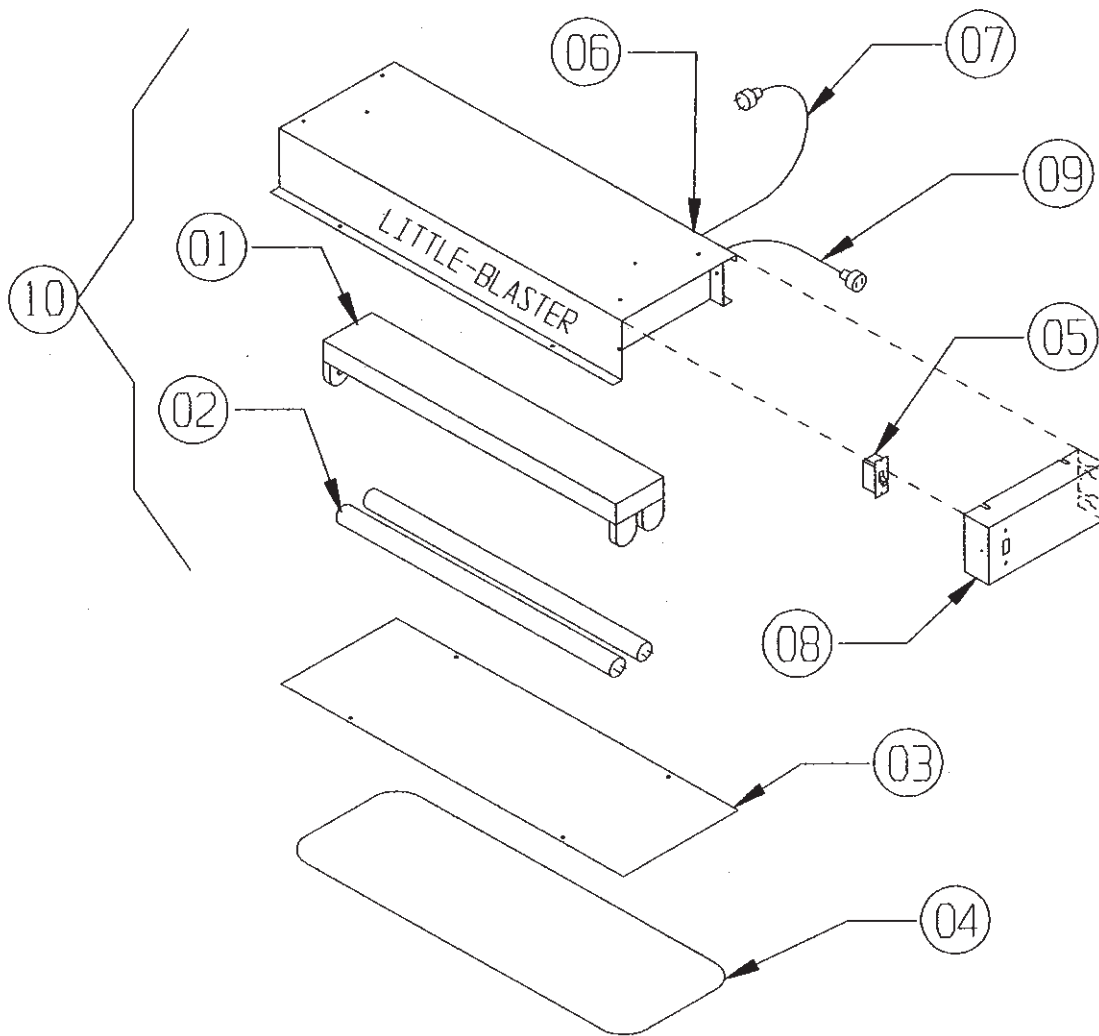
LONG BOLTS WITH ELASTIC NUTS

\*NOTE: ITEM (2A) RUBBER SEAL MUST BE IN PLACE TO REDUCE PREMATURE MOTOR FAILURE

ITEM NO.	PART NO.	DESCRIPTION
1	D2025	DUST COLLECTOR BODY
2	11-1524	DUST COLLECTOR CARTRIDGE (INCLUDES 2A,2B,2C)
2A	11-1524S	RUBBER SEAL
2B	30-601	1/4" WASHER
2C	30-510	1/4" WING NUT
3	13-200	MOTOR, 120V, 60/50 Hz, 6.9 AMP
4	24-056	GASKET, MOTOR SEAL
5	24-054-48	GASKET, TOP SEALING
6	010172	CORD, MALE PLUG
7	D2025-09	MOTOR BRACKETS
8	D2025-05&06	MOTOR HOUSING
9	D2025-04	COVER PLATE
10	010212	2" PIPE CAP
11	-----	LIFT HANDLE

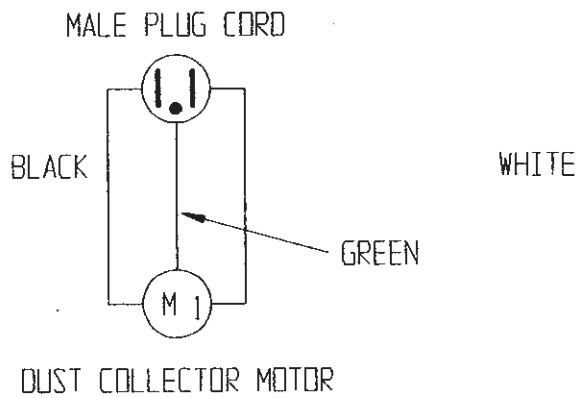
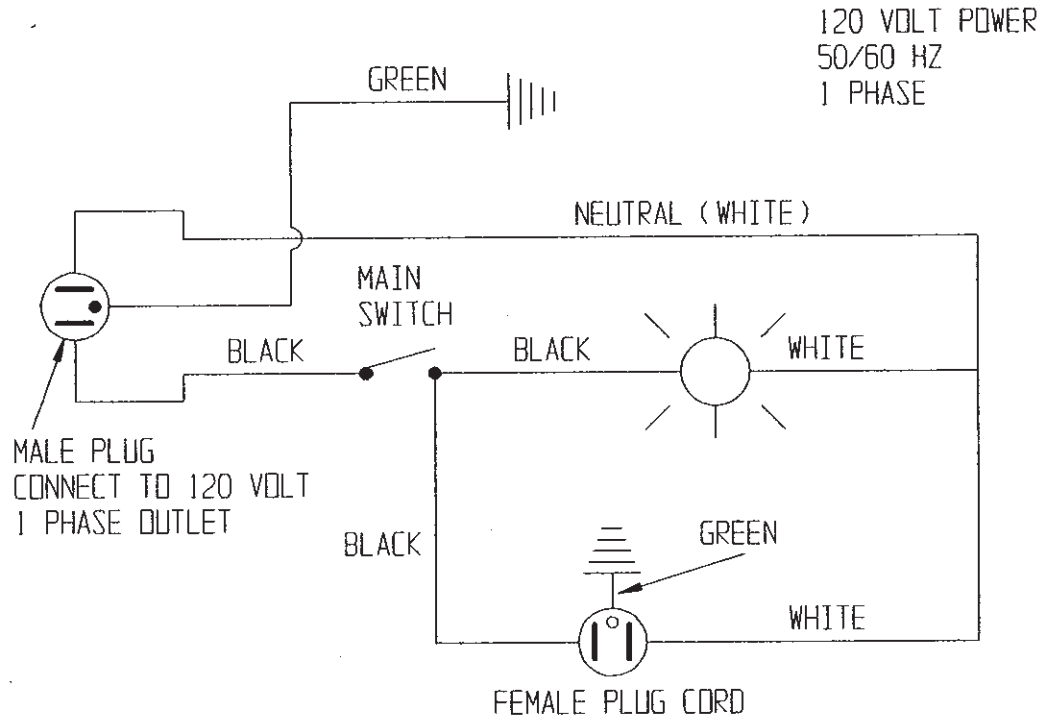
# LITTLE-BLASTER™

## LIGHT BOX



ITEM NO.	PART NO.	DESCRIPTION
1	13-533	FLUORESCENT FIXTURE, (NO TUBES)
2	13-534	24" FLUORESCENT TUBE
3	010216	PROTECTOR, LIGHT
4	24-054-64	WINDOW GASKET, 64" IN LENGTH
5	13-655	SWITCH
6	13-605	ROUND CONNECTOR
7	13-550	POWER CORD, 3 WIRE
8	B198-2	SWITCH MOUNTING PLATE
9	010172F	CORD WITH FEMALE PLUG
10	010800 LBLTBX	COMPLETE LIGHT BOX (EXCEPT 3 & 4)

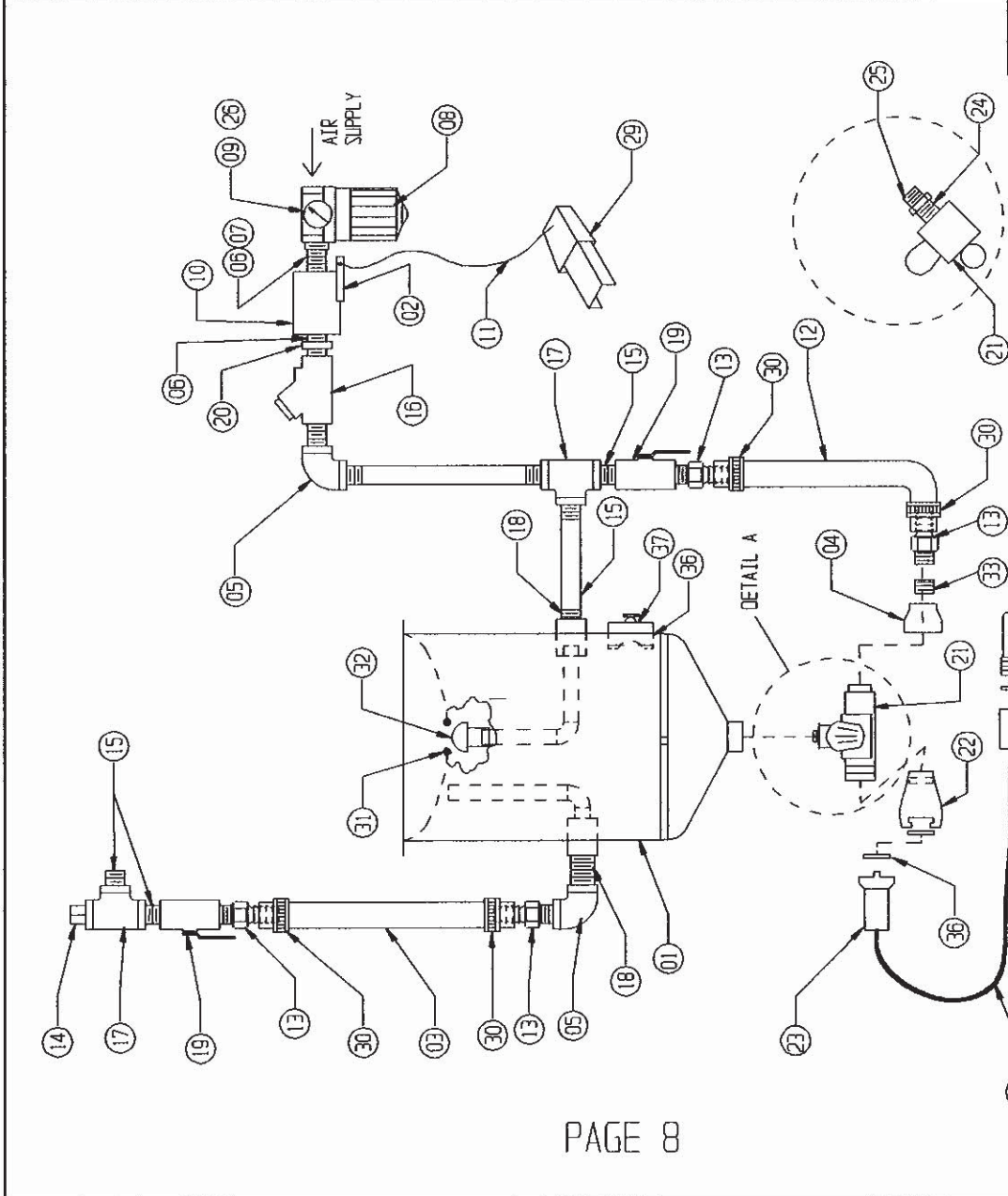
LITTLE-BLASTER™  
ELECTRICAL DIAGRAM





37	1	CLEAN OUT DOOR	19-935-1
36	1	GASKET	19-935
35	1	WASHER, QUICK COUPLING	14-106
34	1	WASHER, NOZZLE	14-113
33	1	BUSHING, 3/4" x 1/2"	14-462
32	1	PIP-UP, PLUNGER	16-706U
31	1	PIP-UP, SEAL	16-707
30	6	CLAMP	21-031
29	1	FOOT TREADLE	A246-1
28	1	1/4" TC BLAST NOZZLE	20-502
27	1	NOZZLE HOLDER	14-108
26	1	STREET ELL, 1/4"	14-327
25	1	NIPPLE, 1"	14-357
24	1	BUSHING, 1 1/4 x 1	14-363
23	1	QUICK COUPLING, 1/2"	14-101
22	1	TANK COUPLING, 1/4"	14-117
21	1	MICRO VALVE	16-878
20	1	BUSHING, 1/2" x 3/8"	14-306
19	2	BALL VALVE, 1/2"	14-382
18	2	BUSHING, 1" x 1/2"	14-381
17	1	TEE, 1/2"	14-380
16	1	CHECK VALVE, 1/2"	14-473
15	5	NIPPLE, 1/2" CLOSE	14-378
14	1	PLUG, 1/2"	14-434
13	4	BARB FITTING, 1/2" x 1/2"	14-301
12	4'	HOSE, AIR 1/2"	18-076
11	1	CHAIN 20" LG.	
10	1	AIR VALVE, 3/8"	16-829
09	1	AIR GAUGE	16-819
08	1	FILTER/REGULATOR	16-828
07	1	BUSHING, 3/4" TO 3/8"	006255
06	2	NIPPLE, CLOSE 3/8"	14-322
05	2	STREET ELL, 1/2"	14-372
04	1	REDUCER, BELL 1 1/2" x 3/4"	006227
03	12'	HOSE, BLAST 1/2"	18-100
02	1	LEVER	A7044-1
01	1	PRESSURE VESSEL	

LARRY HESS & ASSOCIATES	
1 CU FT POT (MANUAL CONTROLS)	JOB NO.
ENGINEER DEC	DATE 3/01/93
	DWG. NO. B4049
	ITEM NO.



DETAIL -A-

REV. BY DEC 03/11/98

## WARRANTY

Larry Hess & Associates, Inc. Warrants to the original purchaser the merchandise sold to be free from defects in material and workmanship under normal use and service for a period of one (1) year. Upon prompt notification by the buyer, to LHA, components that are determined by LHA to be defective will be repaired or replaced at no additional charge, F.O.B. our factory.

Manufacturer shall have the right to inspect prior to replacing all merchandise in question.

This warranty does not apply to parts that are directly involved in the blasting operation. Example: gun, gun parts, viewing window, hose, gloves, etc.

Manufacturer shall not be required to pay any removal or installation charges whatsoever under this warranty.

Manufacturer shall not be liable for prospective profits, special or consequential damages, nor shall any recovery of any kind against manufacturer be greater in amount than the cost of repairs of defects in workmanship.

This warranty does not apply to damage caused by accidents, damage in transit, alterations by unauthorized personnel, abuse or damage by flood, fire, or acts of God, nor by artificially generated electric currents or any other cause whatsoever except defects in material or factory workmanship.

In all cases, defective parts must be returned to Larry Hess & Associates, Inc. before credit is issued.

If genuine BLAST-IT-ALL® replacement parts are not used, the warranty is void.

This warranty is in lieu of all other warranties expressed or implied and releases Larry Hess & Associates, Inc. of all other obligations and liabilities whatsoever. This warranty neither assumes nor authorizes any person to assume any obligation other than those specified by this warranty.

## WARNING

DO NOT USE **SAND** SAND WILL CAUSE SILICA DUST, WHICH IS THE CAUSE OF SILICOSIS DISEASE, A CONDITION OF MASSIVE FIBROSIS OF THE LUNGS. ***THIS STATEMENT INDICATES POTENTIAL PERSONNEL HAZARD. FAILURE TO COMPLY WITH THESE INSTRUCTIONS MAY RESULT IN PERSONAL INJURY.***

Distributed By:



2717 Tobey • Indianapolis, IN 46219  
(317) 545-0665 • FAX (317) 545-0670 • (800) 800-0665  
[www.idsblast.com](http://www.idsblast.com)